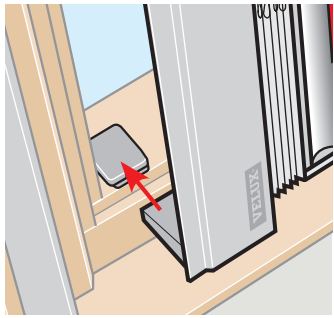
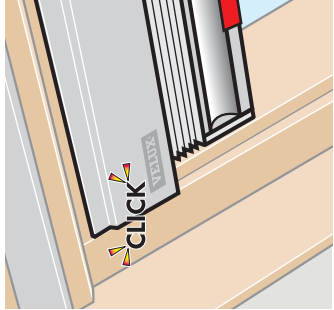
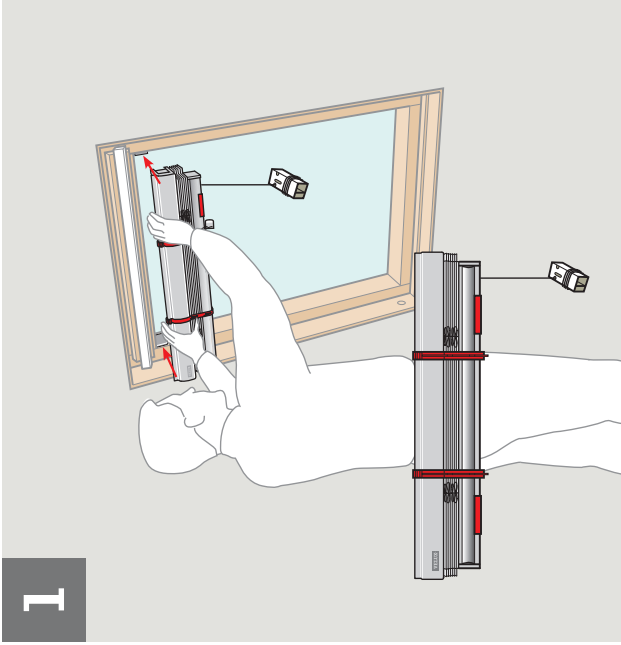


**VELUX®**

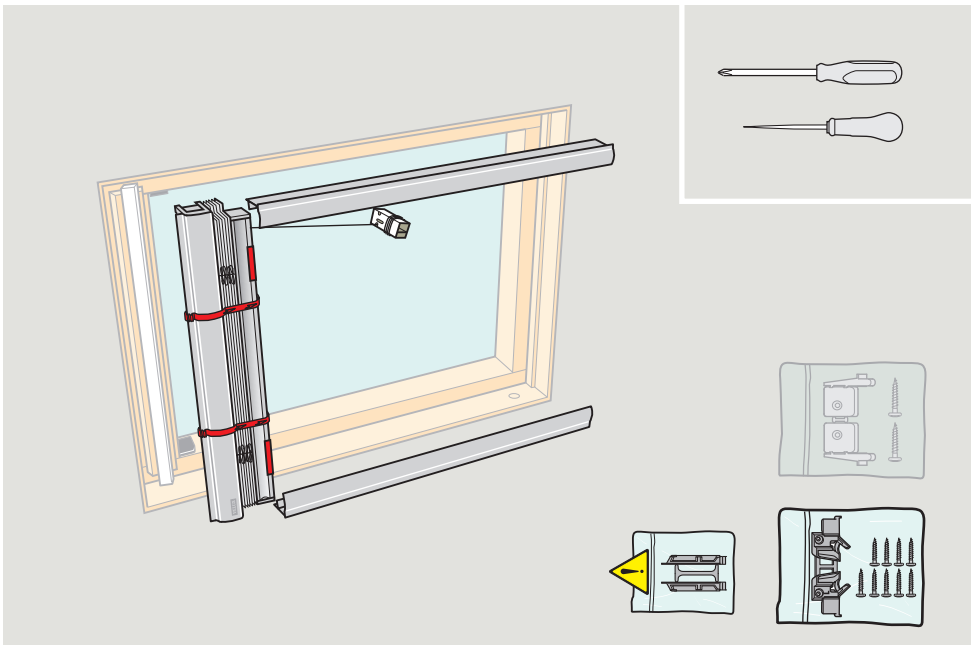
**PAL**



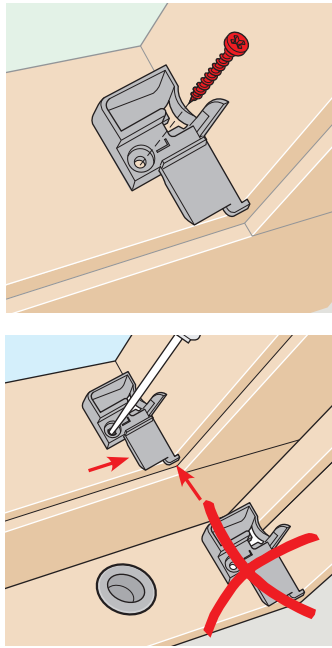
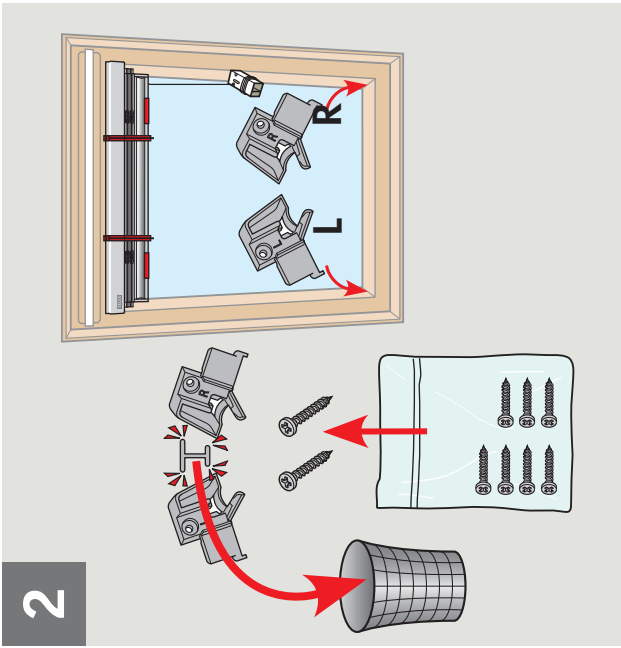
VAS 451235-01.08



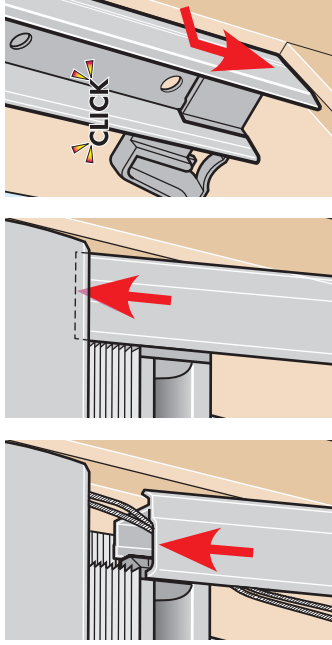
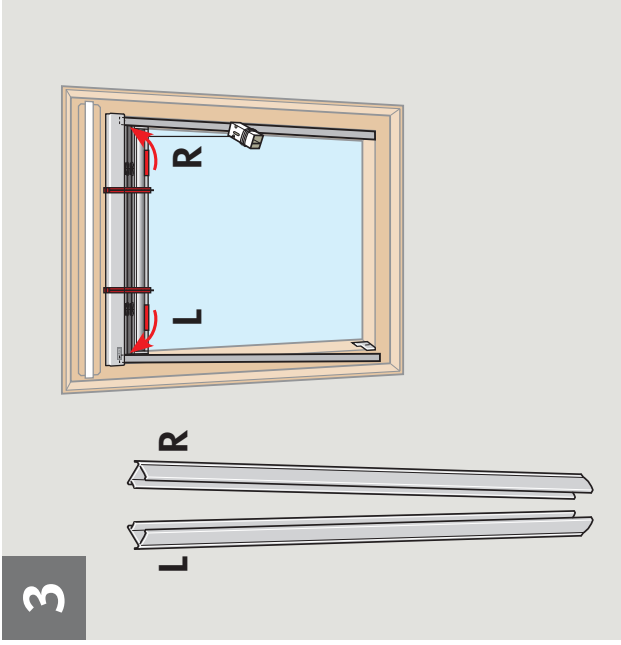
3 VELUX



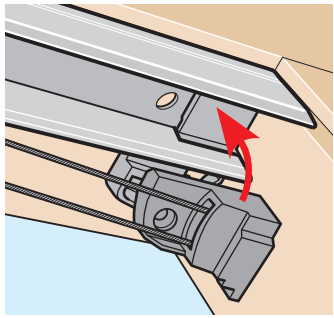
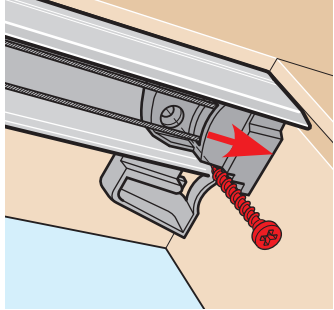
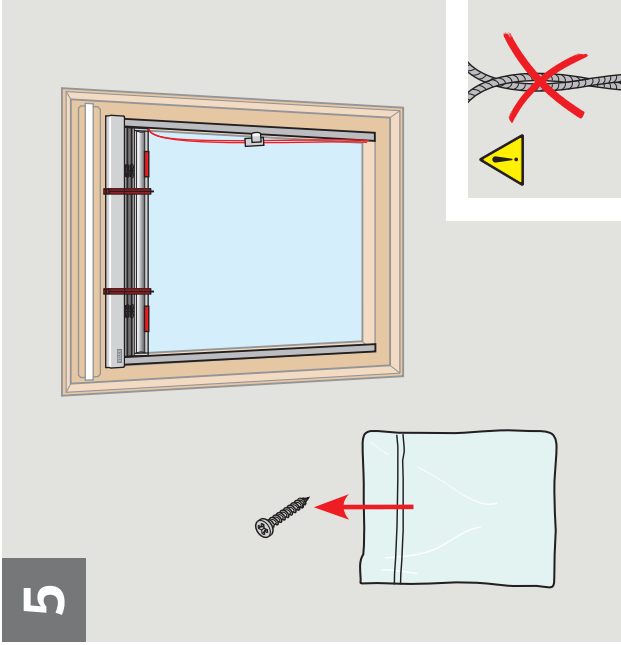
2 VELUX



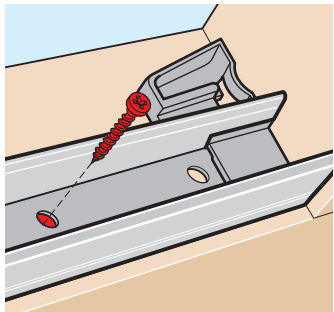
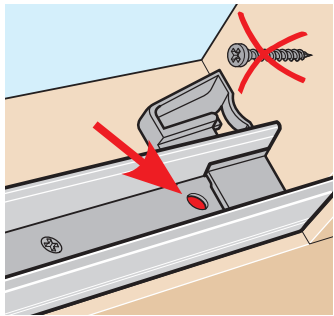
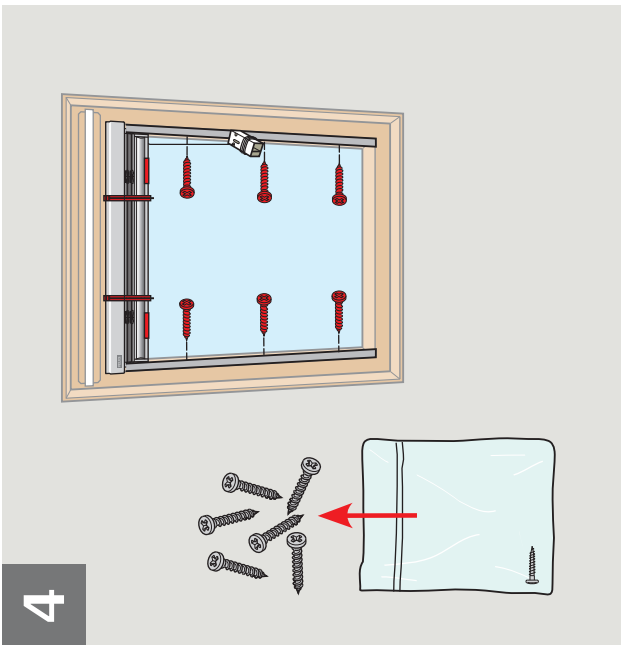
4 VELUX



5 VELUX



7 VELUX



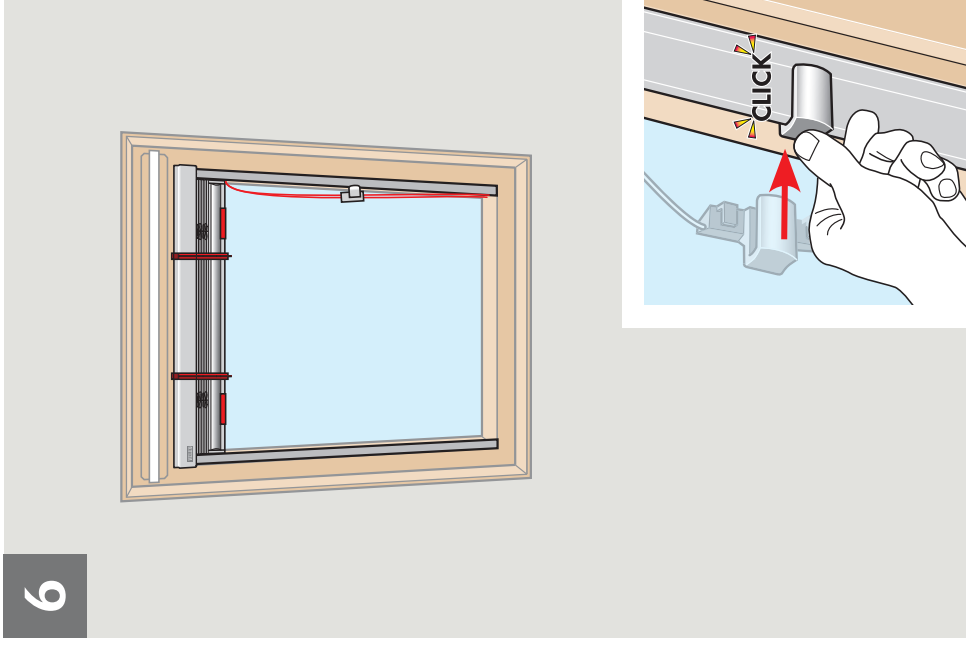
6 VELUX



AR:	VELUX Argentina S.A. 0 114 711 5666	IE:	VELUX Company Ltd. 1800 409 750
AT:	VELUX Österreich GmbH 02245/32 3 50	IT:	VELUX Italia s.p.a. 045/6173666
AU:	VELUX Australia Pty. Ltd. (02) 9550 3288	JP:	VELUX-Japan Ltd. 0570-00-8145
BA:	VELUX Bosna i Hercegovina d.o.o. 033/626 493, 626 494	LT:	VELUX Lietuva, UAB (85) 270 91 01
BE:	VELUX Belgium (010) 42.09.09	LV:	VELUX Latvia SIA 67 2177 33
BG:	VELUX Bulgaria EOOD 02/955 95 26	NL:	VELUX Nederland B.V. 030 - 6 629 629
BY:	VELUX Roof Windows FE (017) 217 7385	NO:	VELUX Norge AS 22 51 06 00
CA:	VELUX Canada Inc. 1 800 88-VELUX (888-3589)	NZ:	VELUX New Zealand Ltd. 09-6344 126
CH:	VELUX Schweiz AG 0848 945 549	PL:	VELUX Polska Sp. z o.o. (022) 33 77 000 / 33 77 070
CL:	VELUX Chile Limitada 2-231 18 24	PT:	VELUX Portugal, Lda 21 880 00 60
CN:	VELUX (CHINA) CO. LTD. 0316-607 27 27	RO:	VELUX România S.R.L. 0-8008-83589
CZ:	VELUX Česká republika, s.r.o. 531 015 511	RS:	Srbija d.o.o. 011 3670 468
DE:	VELUX Deutschland GmbH 0180-333 33 99	RU:	VELUX Russia ZAO (495) 737 75 20
DK:	VELUX Danmark A/S 45 16 45 16	SE:	VELUX Svenska AB 042/20 83 80
EE:	VELUX Eesti OÜ 621 7790	SI:	VELUX Slovenija d.o.o. 01 724 68 68
ES:	VELUX Spain, S.A. 91 509 71 00	SK:	VELUX Slovensko, s.r.o. (02)33 000 555
FI:	VELUX Suomi Oy 09-887 0520	TR:	VELUX Çatı Pencereleri Ticaret Limited Şirketi 0 216 302 54 10
FR:	VELUX France 0821 02 15 15	UA:	VELUX Ukraina TOV (044) 490 5703
GB:	VELUX Company Ltd. 0870 380 9593	US:	VELUX-America Inc. 1-800-88-VELUX
HR:	VELUX Hrvatska d.o.o. 01/5555 444		
HU:	VELUX Magyarország Kft. (06/71) 436-0601		

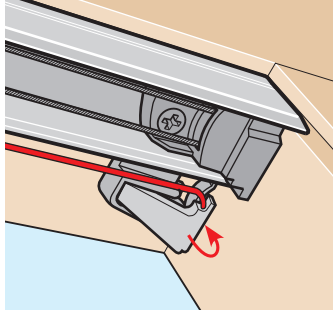
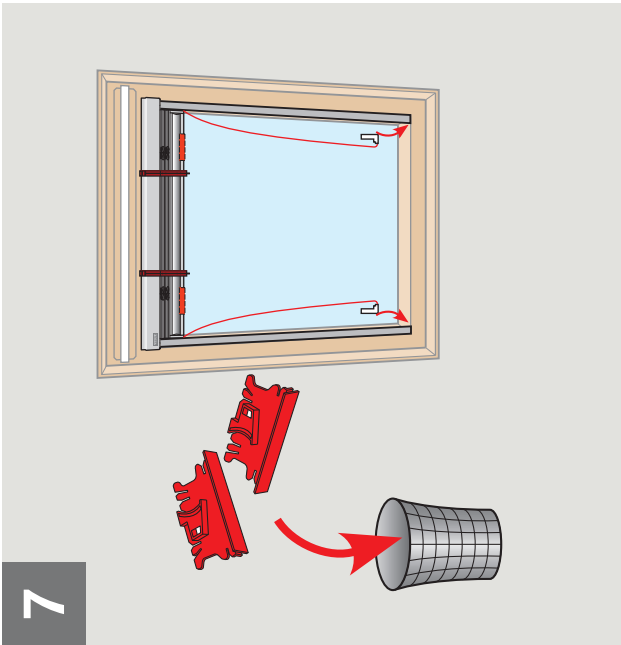
[www.velux.com](http://www.velux.com)

INSTALLATION INSTRUCTIONS FOR PAL ©2003, 2008 VELUX GROUP  
VELUX AND THE VELUX LOGO ARE REGISTERED TRADEMARKS USED UNDER LICENCE BY THE VELUX GROUP

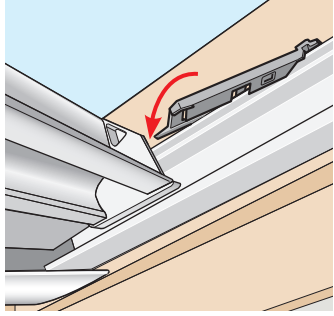
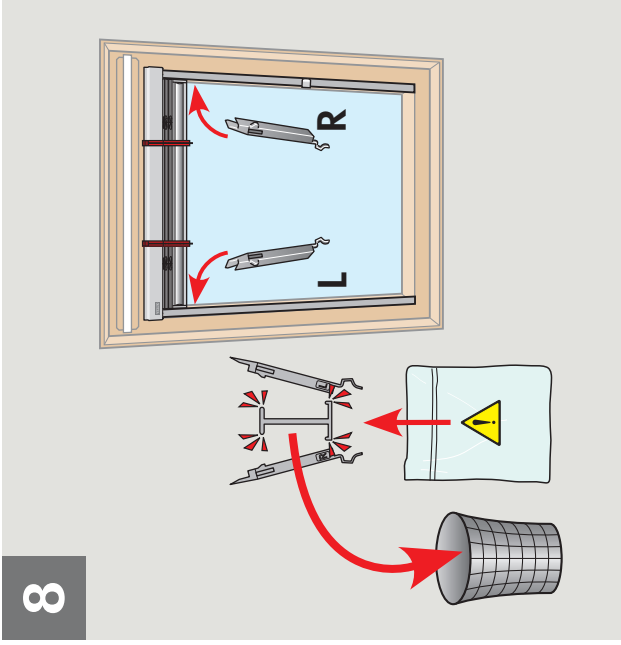


6

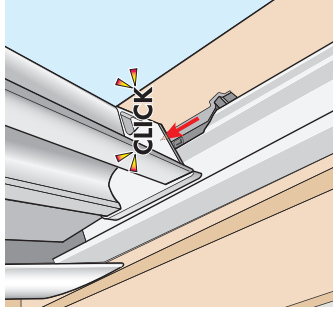
9 VELUX

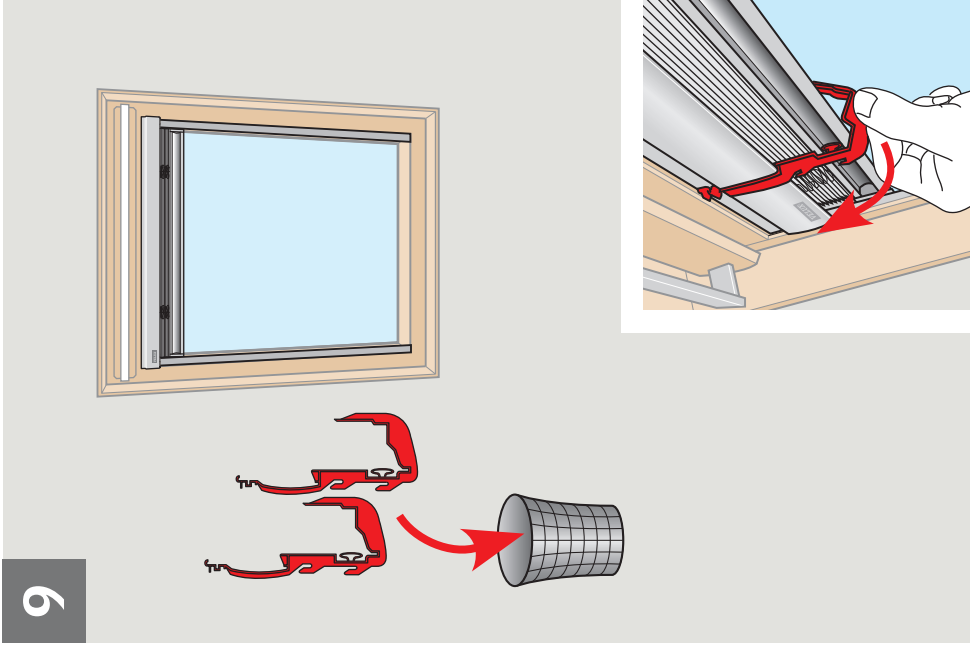


10 VELUX

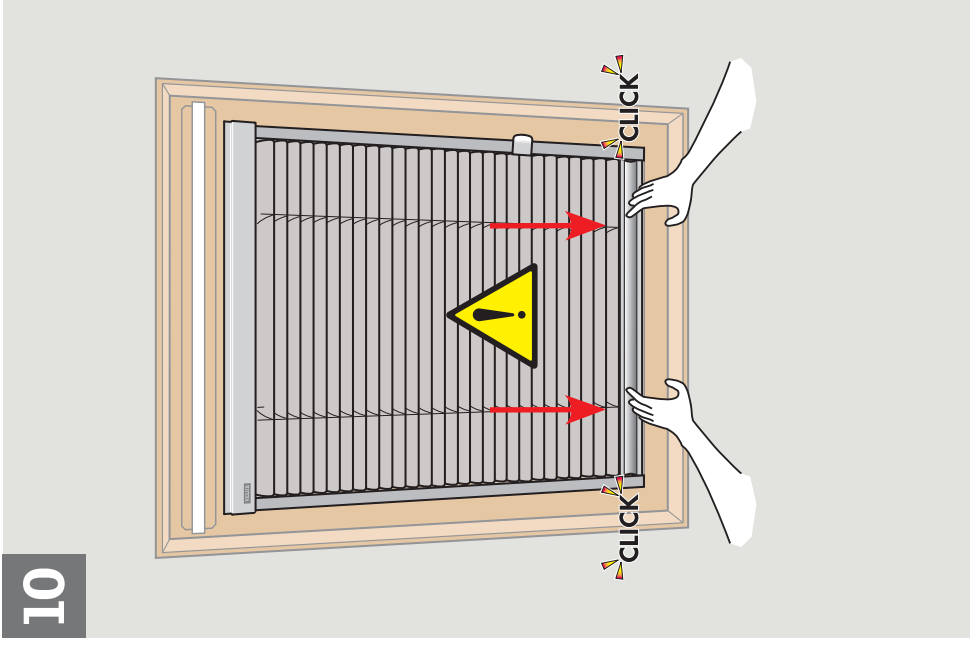


11 VELUX

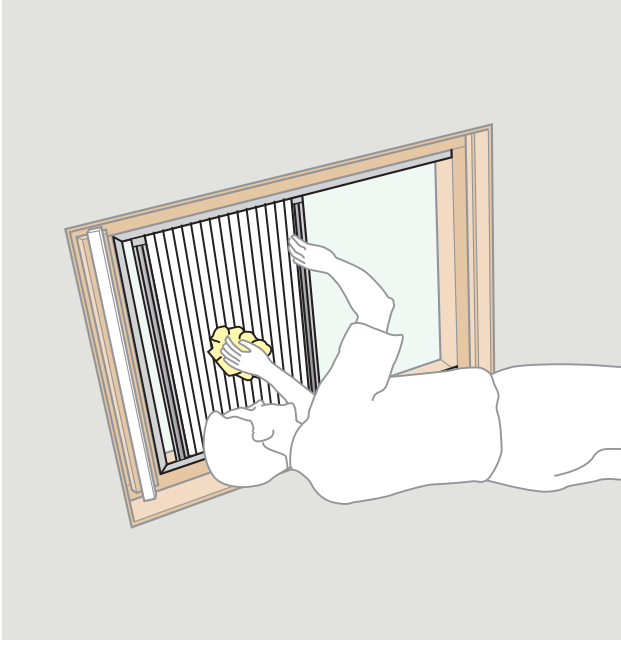
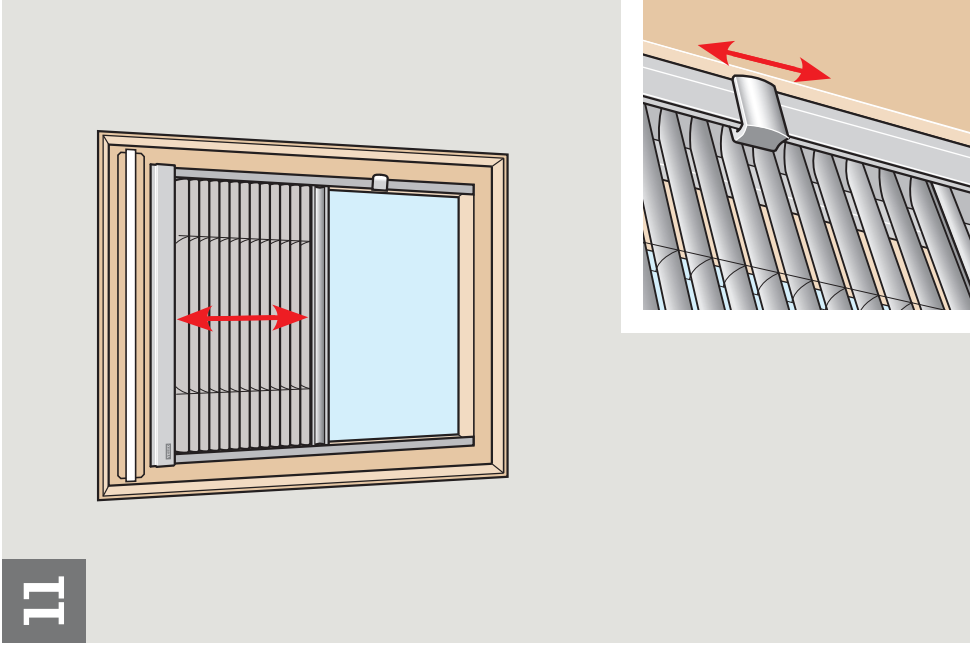




12 VELUX



13 VELUX



11

14 VELUX

15 VELUX